

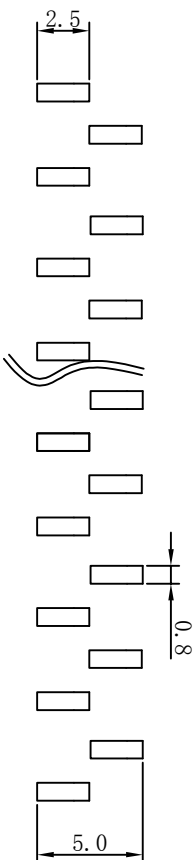
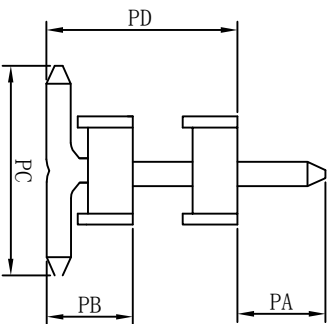
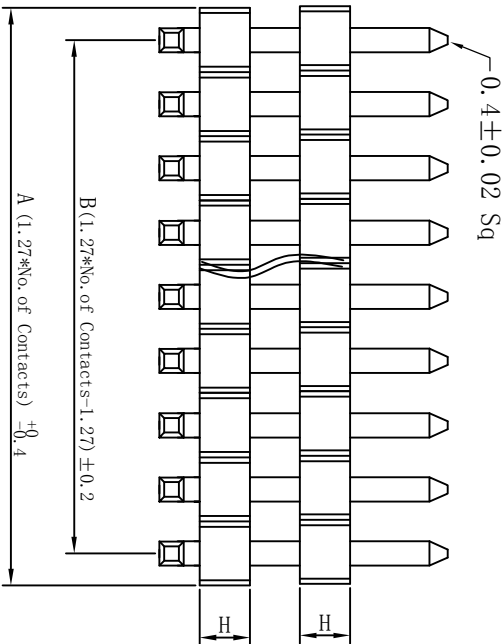
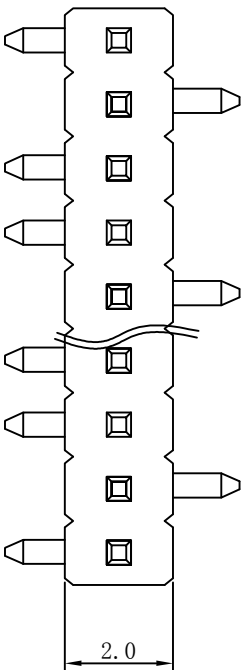
RoHS Compliant

Customer Drawing

<http://www.goxconn.com>

修改记录 (REVISION RECORD)

修改说明 (DESCRIPTION)

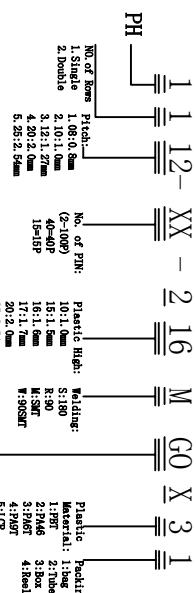


Type	可定制尺寸
H	1.0/1.6/2.0
PA	4.0/2.0
PB	2.0
PD	4.0/8.0

未注公差 UNLESS OTHERWISE SPECIFIED TOLERANCE		品名 (TITLE):	
线性 (LINER)	角度 (ANGLES)	PH1.27 1*NP SMT 双塑 系列图	
x ± 0.20	x' ± 1'	A4	
.xxx ± 0.15	.xx' ± --	Suzhougong 样号 (PART NO.): 1112-XX216MCOX-31	
.xxx ± 0.10	.xxx' ± --	Cel Wong 审核 (CHECK)	
第三视角投影 THIRD ANGLE PROJECTION	第三视角投影 THIRD ANGLE PROJECTION	日期 (DATE)	



Ordering information



Pin No.	Pin Type	Pin No.	Pin Type
1	Gold Plated	13	Gold Plated
2	Gold Plated	14	Gold Plated
3	Gold Plated	15	Gold Plated
4	Gold Plated	16	Gold Plated
5	Gold Plated	17	Gold Plated
6	Gold Plated	18	Gold Plated
7	Gold Plated	19	Gold Plated
8	Gold Plated	20	Gold Plated
9	Gold Plated	21	Gold Plated
10	Gold Plated	22	Gold Plated
11	Gold Plated	23	Gold Plated
12	Gold Plated	24	Gold Plated